



Technical features

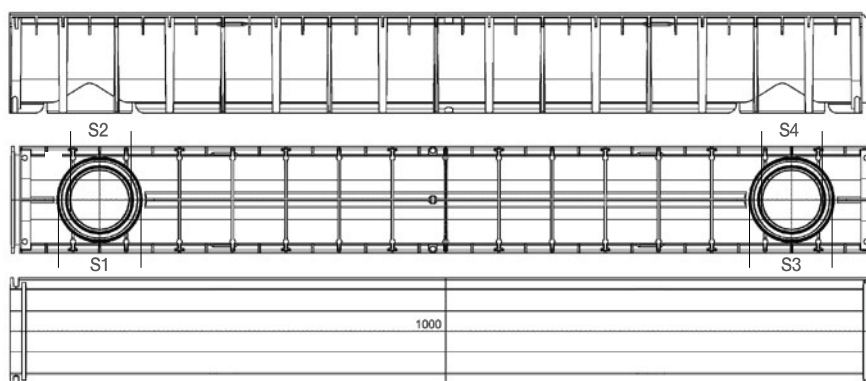
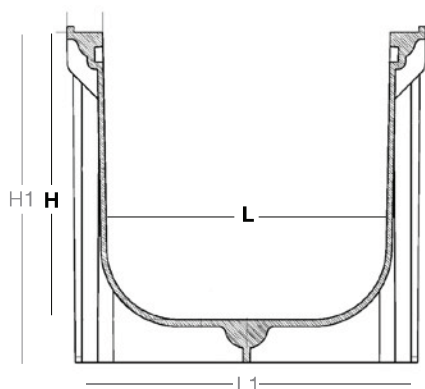
Canale PP con bordi in plastica

Plastic edged PP channel

CODE
17 508A



A15

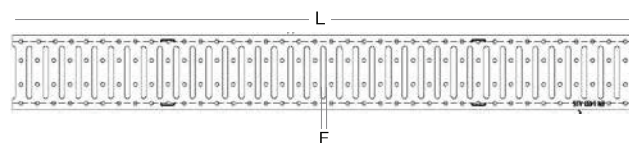
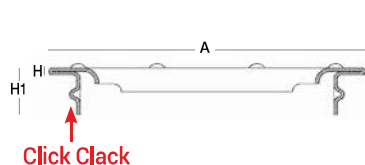


code	L	H	L1	H1	A	D1	D2	D3	S1	S2	S3	S4	Kg	Pack	€
517 1005	100	50	125	67	1000	-	-	-	90	75	100	80	0,8	128	
517 1010	100	100	125	117	1000	-	-	-	90	75	100	80	1,2	80	

dimensioni in mm - dimension in mm

Griglia a fessura in acciaio zincato

Galvanized steel slotted grid



code	material	drain cm ²	A	H	H1	L	F	load class	Kg	Pack	€
508A10	steel	260	118	1,8	17,0	1000	7,5 x 82	A15	1,2	400	