

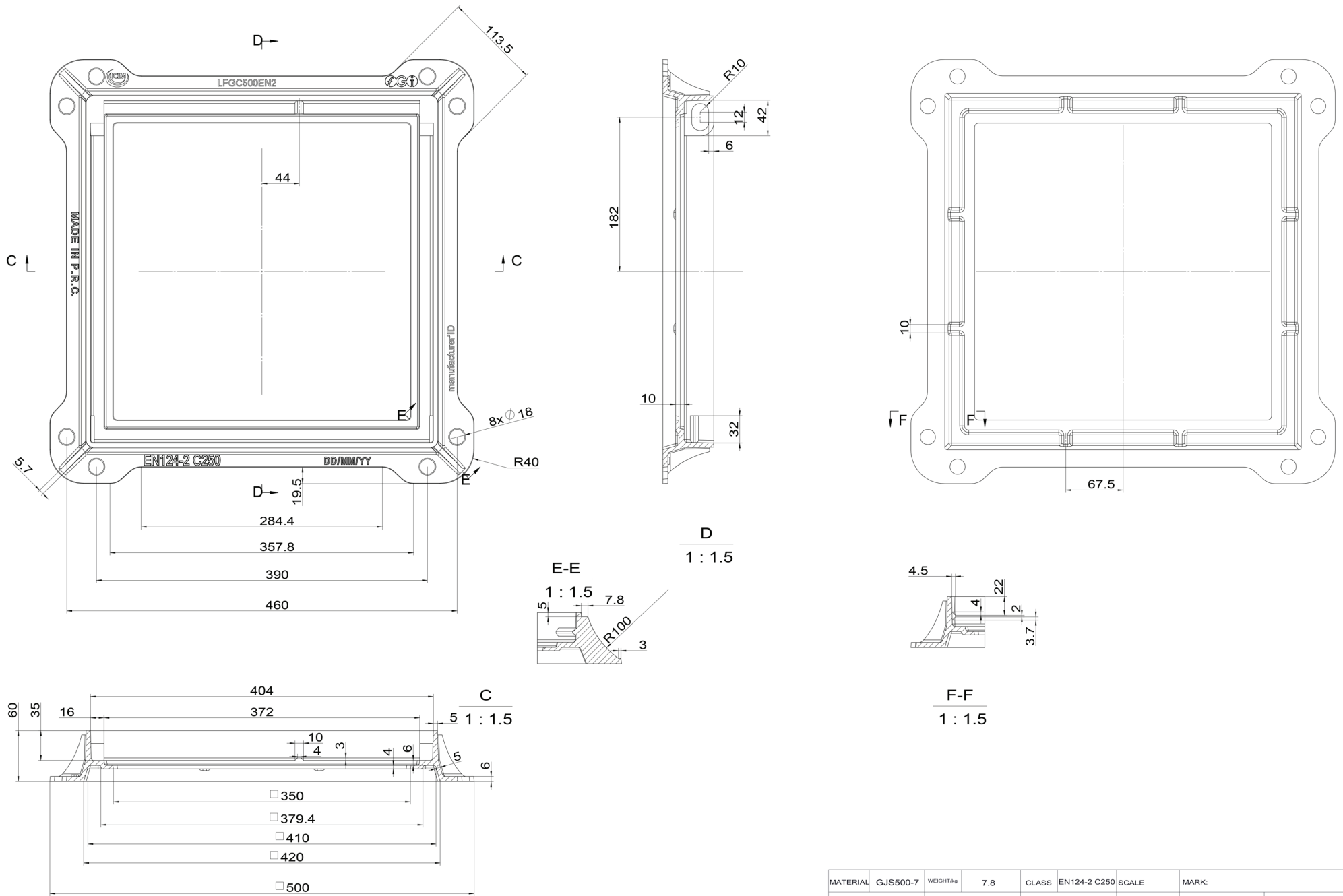
A  
1:1.5

Technical requirement

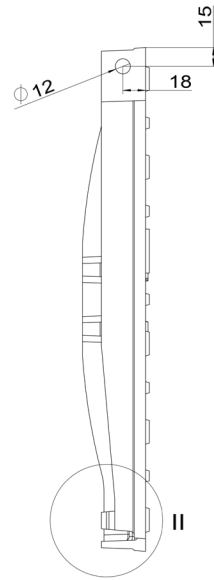
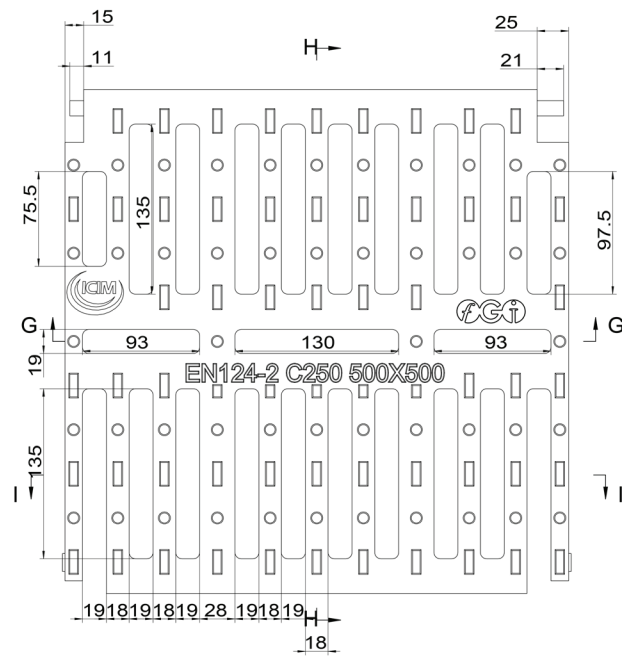
- 1、 pattern draft is 1-2° of main beams ,cover ,grids, frame side.
- 2、 pattern draft is 5-10° of assistive beams ,gird holes ,outside.
- 3、 pattern draft is 15° of surface patterns ,mark, logo.
- 4、 casting radius which aren't been marked is R1-R3.

General Dimension Tolerance				General Weight Tolerance			
According To ISO 8062-CT10				Tolerance(%)			
				±5%			

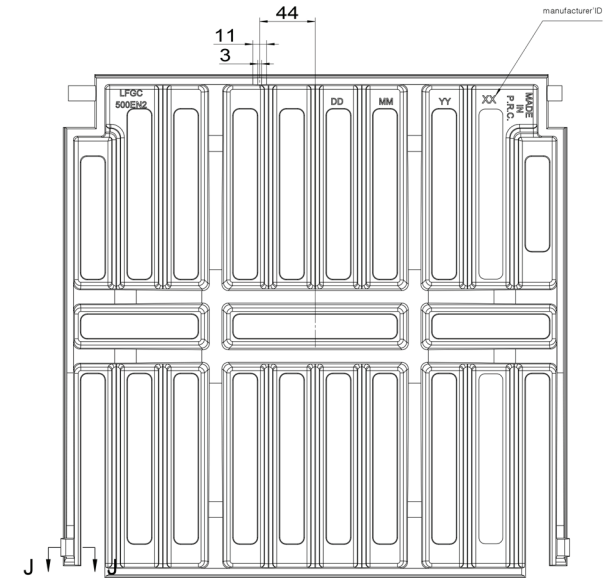
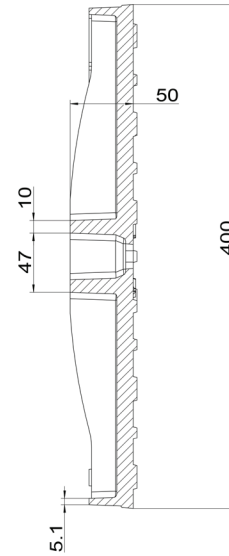
MATERIAL	GJS500-7	WEIGHT/kg	20	CLASS	EN124-2 C250	SCALE	MARK:	
DESIGNED BY	Sid	CHECKED BY		APPROVED BY - DATE		SIZE	CERTIFICATE NO. /	
						500x500x60	PRODUCT CODE	
				ITEM CODE	NAME			
				DESIGN DATE	DRAWING NO.			EDITION
				2017/6/26	LFGC500EN2			0
					GSGEN-250FL			SHEET
								1/3



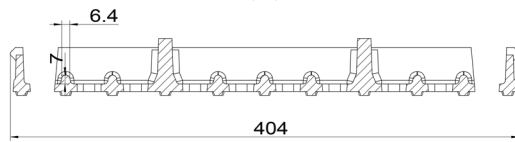
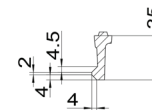
MATERIAL	GJS500-7	WEIGHT/kg	7.8	CLASS	EN124-2 C250	SCALE	MARK:
DESIGNED BY	CHECKED BY	APPROVED BY - DATE		SIZE	CERTIFICATE NO. / PRODUCT CODE		
Sid				500x500x60	NAME		
				ITEM CODE	<b>GSGEN-250FL</b>		
DESIGN DATE		DRAWING NO.		EDITION	SHEET		
2017/6/26		LFGC500EN2-1		0	2/3		



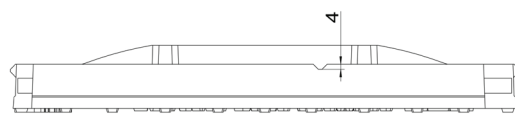
H-H  
1 : 1.5



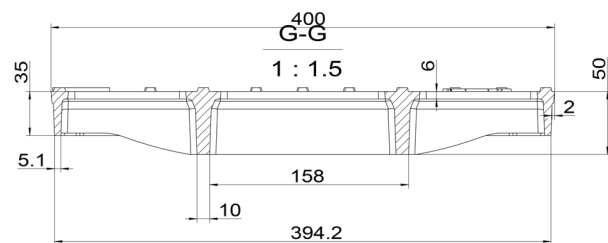
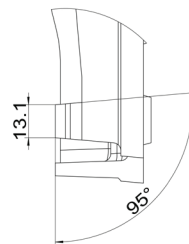
J-J  
1 : 1.5



I-I  
1 : 1.5



II  
2 : 1.5



MATERIAL	GJS500-7	WEIGHT/kg	12.2	CLASS	EN124-2 C250	SCALE	MARK:		
DESIGNED BY	Sid	CHECKED BY		APPROVED BY - DATE		SIZE	496x496x40	CERTIFICATE NO. / PRODUCT CODE	
ITEM CODE						GSGEN-250FL			
DESIGN DATE						DRAWING NO.		EDITION	SHEET
2017/6/26						LFGC500EN2-2		0	3/3