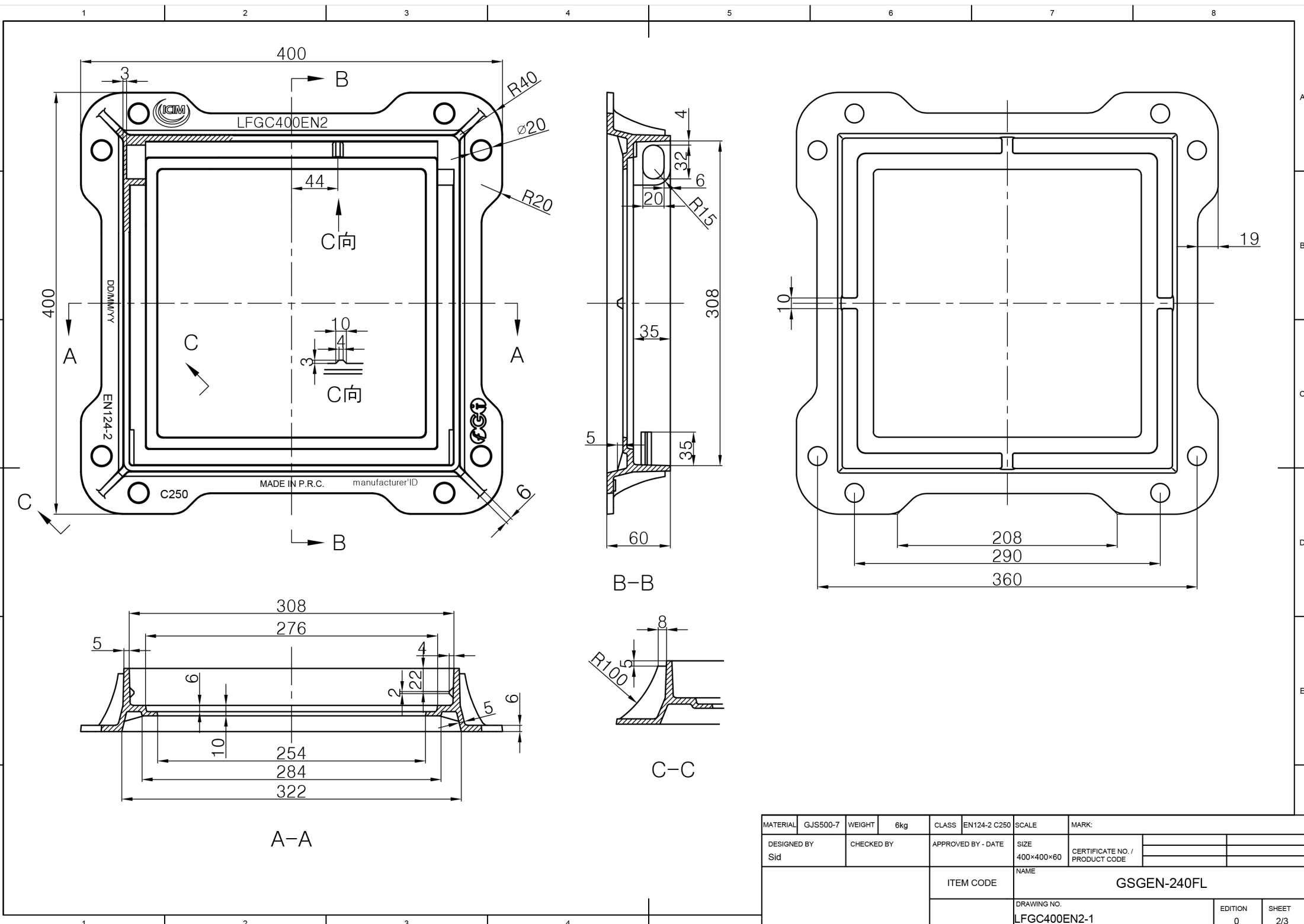


Technical requirement

1. pattern draft is 1-2° of main beams ,cover ,grids, frame side.
2. pattern draft is 5-10° of assistive beams ,gird holes ,outside.
3. pattern draft is 15° of surface patterns ,mark, logo.
4. casting radius which aren' t been marked is R1-R3.

General Dimension Tolerance	General Weight Tolerance
According To ISO 8062-CT10	Tolerance(%)
	±5%

MATERIAL	GJS500-7	WEIGHT	13kg	CLASS	EN124-2 C250	SCALE	MARK:
DESIGNED BY	Sid	CHECKED BY		APPROVED BY - DATE		SIZE	400x400x60
				ITEM CODE	GSGEN-240FL		
				DRAWING NO.	LFGC400EN2		EDITION
						0	SHEET
						1/3	



MATERIAL	GJS500-7	WEIGHT	6kg	CLASS	EN124-2 C250	SCALE	MARK:
DESIGNED BY	Sid	CHECKED BY		APPROVED BY - DATE		SIZE	400x400x60
				ITEM CODE	GSGEN-240FL		
				DRAWING NO.	LFGC400EN2-1		EDITION
						0	SHEET
						2/3	

